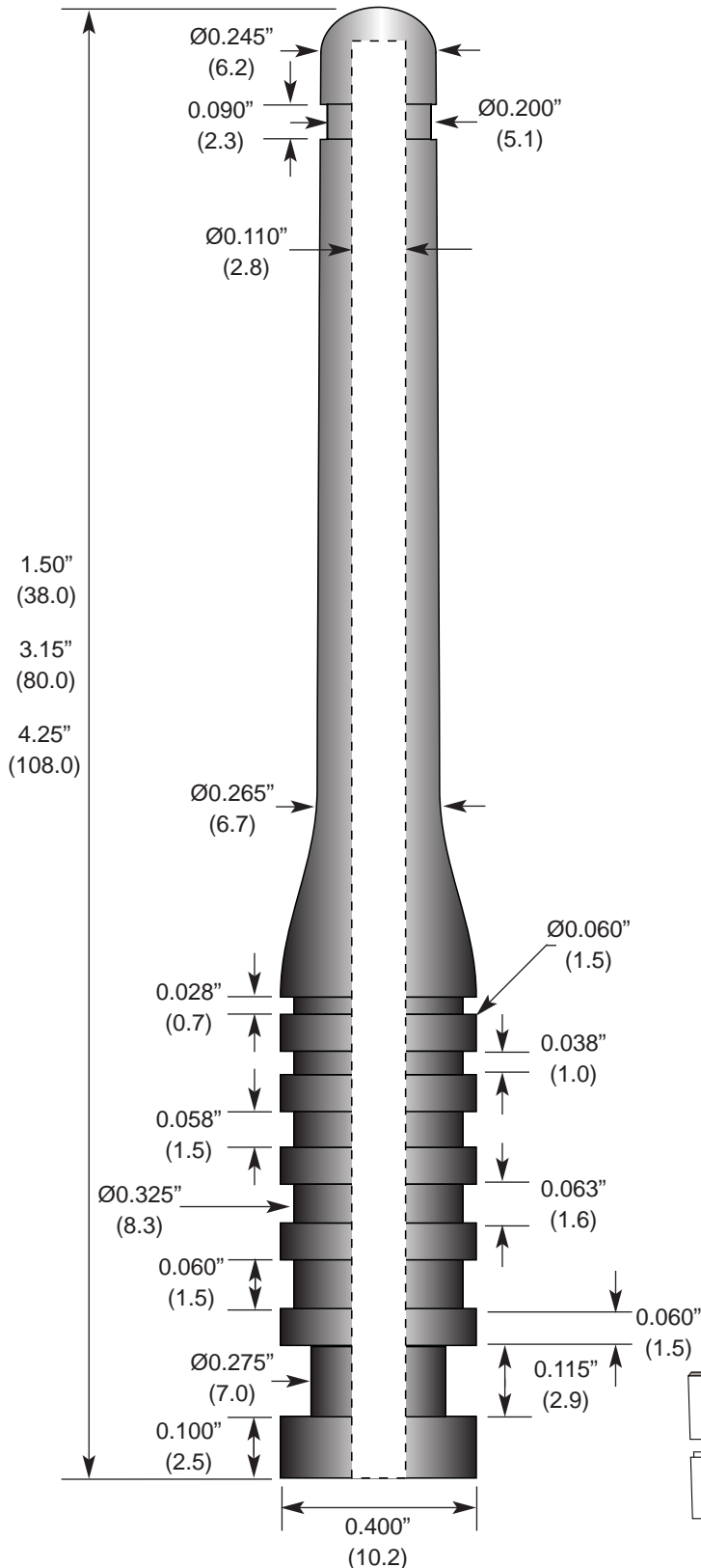


### Product Dimensions



### Description



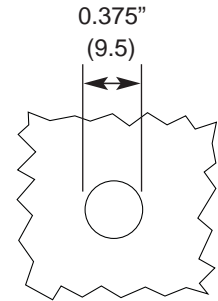
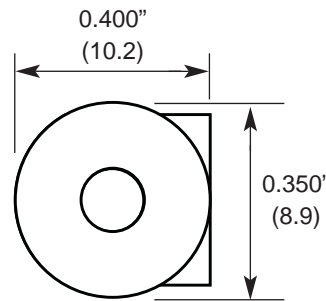
These low-cost sleeves provide your customer with the ruggedness and cosmetic appeal of expensive whip antennas, but are hollow to cover the low-cost internal element of a user's choosing, such as a wire, rod, or flexible shaft. The sleeve is designed to allow a wide range of mounting options in metal or plastic housings of various thicknesses. Ant-Skins can also reduce your parts inventory since a wide range of frequency lengths can be accommodated by a single sleeve.

### Features

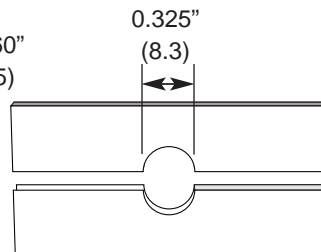
- Recesses provided to accommodate six different enclosure thicknesses by simply pulling the Ant-Skin through the case until it is in the correct position
- Generous cavity to accommodate many different elements, including flexible cable, wire, or rod
- Squared base for permanent spin-proof mounting option
- Cost-effective
- Gives cosmetically attractive, professional appearance

### Ordering Information

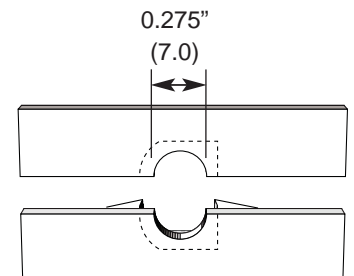
- ANT-SKN-V1-1.50 (1.5" antenna cover)
- ANT-SKN-V1-3.15 (3.15" antenna cover)
- ANT-SKN-V1-4.25 (4.25" antenna cover)



Hole



Clamp



Molded Slot